

## Multi-Jet Hot Water Meter Model M201CH

This meter is designed for indoor applications only. This meter shall only be installed in water supply systems, which comply with the International Plumbing Code (IPC), the Uniform Plumbing Code (UPC) and/or the National Plumbing Code of Canada.

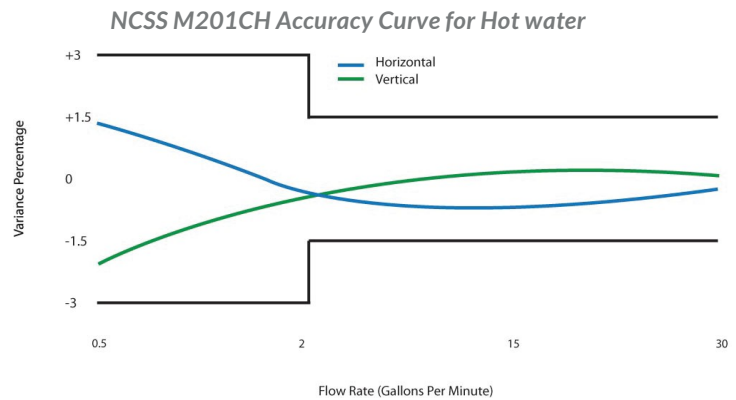


### Features:

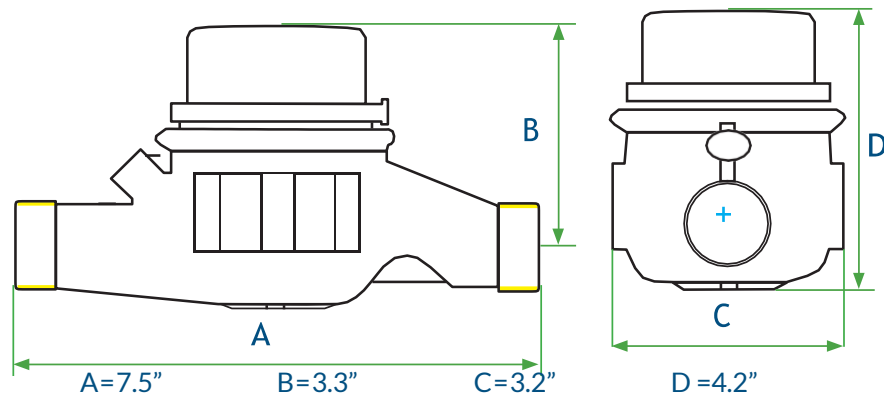
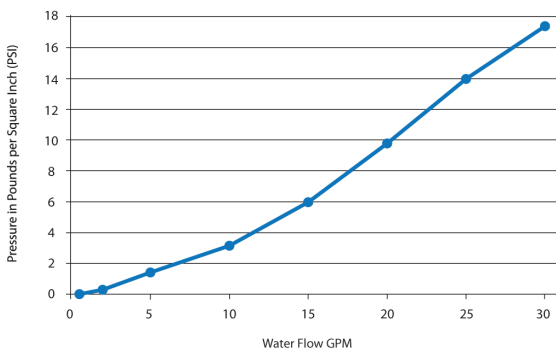
- Meets AWWA C708 accuracy standards in a horizontal or vertical position
- NSF/ANSI 61 & 372 Certified
- NTEP Certified
- 5 year warranty
- Pulse Output
- Pre-wired connector and mounting plate to enable plug-and-play installation

### Specifications:

Max Flow Rate.....	30 gpm
Normal Flow Range (+/- 1.5%).....	2-25gpm
Min. Flow Rate (+/-3%).....	0.5gpm
Max Working Pressure.....	150 psi
Max working temp.....	194° F
Nominal pipe size.....	3/4"
Connection on Meter.....	1" NPSM
Main Case Material.....	Glass Reinforced Nylon Polymer (GV-5FWA)
Weight.....	18 oz
Pulse Value.....	1:10 gal



### Next Century M201CH Pressure Loss



\*When ordering for a California projects, please use part #M201CH-CA

For specific installation instructions, please refer to the NextCentury Installation Instructions for the M201 Series Water Meters. Due to updated regulations and product improvements, NextCentury Submetering Systems, LLC reserves the right to change the product specifications without notice.